

LIGHT TELESCOPIC RAIL



ROLLCO

SPECIALIZED
ON LINEAR MOTION

Index

Selecting Guide	4
5030 Steel	5
5040 100 % Ext. Steel	6
5040 140 % Ext. Steel	7
210 Aluminium	8
220/230 Aluminium	9
410 Aluminium	10
3045 Steel Sheet Metal	11
3080 Steel Sheet Metal	12-13
3560 Stainless Steel Sheet Metal	14
Product overview	15



Selecting Guide

Load

What is the load of the unit? In this catalogue you can find solutions from 30 kg/pair up to 300 kg/pair. Please notice that these values are valid for evenly distributed loads. If more capacity is needed we refer to our Heavy Telescopic Rail catalogue or please contact us. We can assemble a wide range of customised telescopic slides according to your needs.

Side loads

Will your unit be exposed for side loads or is the distance between the pair of slides very large? (> two times the closed length of the slides). Please contact Rollco.

Extension

In this catalogue you will find extensions from 300 mm up to 1400 mm. Please contact us if you need longer or shorter movements. We can supply telescopic solutions up to 3500 mm.

Extension in % of closed length

Do you need 100% extension? In this catalogue you will find many products with 100% extension and some with extension up to 140%. We can supply extension from 0 up to more than 300%. For special extension, please contact Rollco.

Horizontal or vertical movement

Is it a horizontal movement? In case of vertical movements please contact Rollco. We have specific solutions for vertical movements.

Service or automation unit

Service unit with limited amount of movements or telescopic solution for automation with a large quantity of movements/day? For automation products please contact Rollco. We have several different solutions for automation.

Deflection

The telescopic rails in this catalogue are made from different materials. If very high stiffness is needed we recommend telescopic rails made from hardened bearing steel like DSS, DE, ASN and DBN. You will find these types in our Heavy Telescopic Rail catalogue.

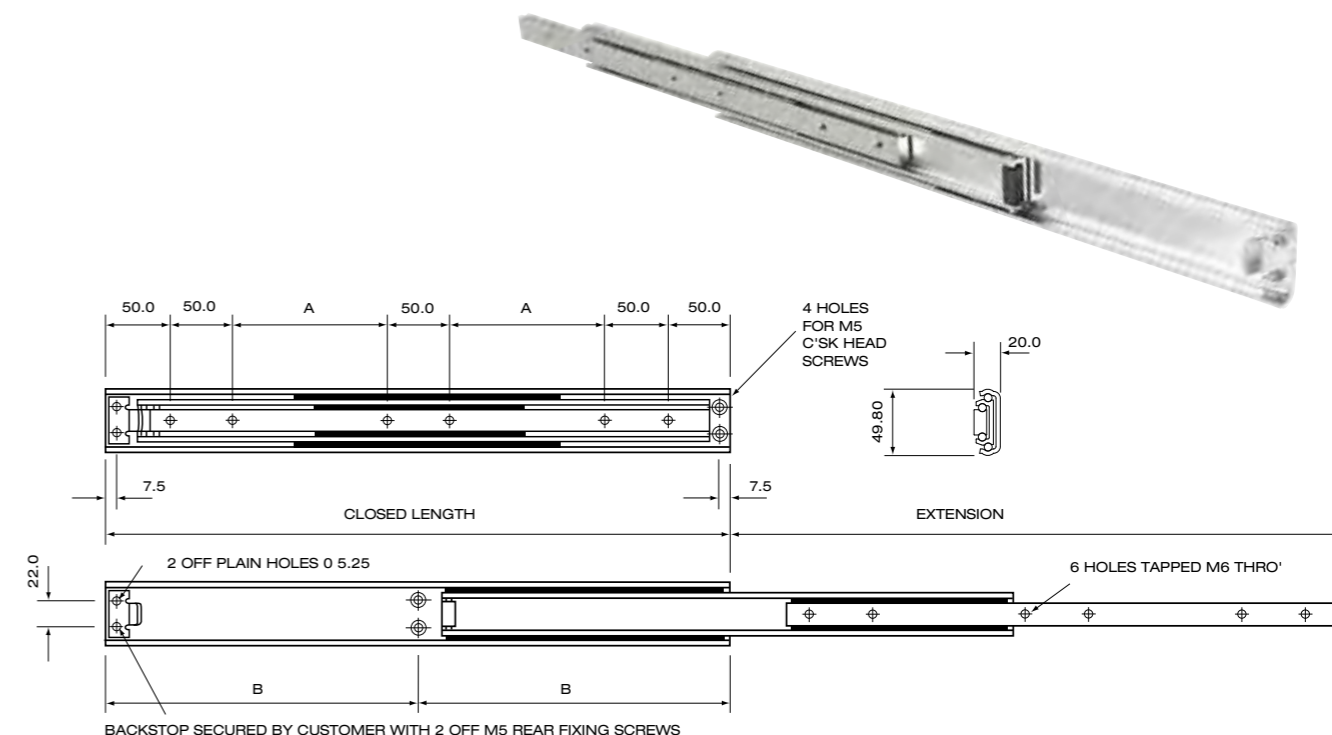
Quantities required

All slides in this catalogue are "off-the-shelf" products. In case of large quantities you can take advantage of a cost saving production method that makes it possible to assemble an economical customised solution. Please contact Rollco for a proposal.

Environment

We offer telescopic rails in aluminium, steel or stainless steel and surface treatment with zinc or chemical nickel. Please contact us if your application demands special material and/or surface treatment for special environments.

5030 - 100% Extension

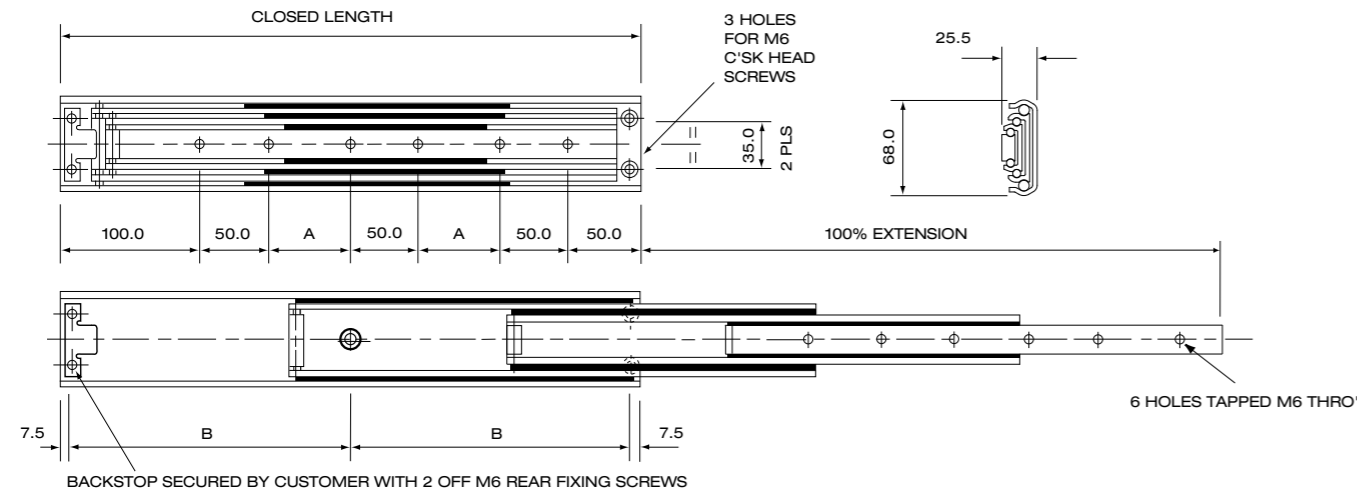


All dimensions in mm

Article No.	Closed length	Extension length	A	B	No. of fixing holes	Load/pair (N)
5030-300	300	300	*	150	4	1900
5030-350	350	350	50	175	6	1830
5030-400	400	400	75	200	6	1750
5030-450	450	450	100	225	6	1650
5030-500	500	500	125	250	6	1550
5030-550	550	550	150	275	6	1450
5030-600	600	600	175	300	6	1370
5030-650	650	650	200	325	6	1250
5030-700	700	700	225	350	6	1180
5030-750	750	750	250	375	6	1050
5030-800	800	800	275	400	6	950
5030-850	850	850	300	425	6	830
5030-900	900	900	325	450	6	720
5030-950	950	950	350	475	6	600
5030-1000	1000	1000	375	500	6	500

* Outer beam: 2 holes in both ends

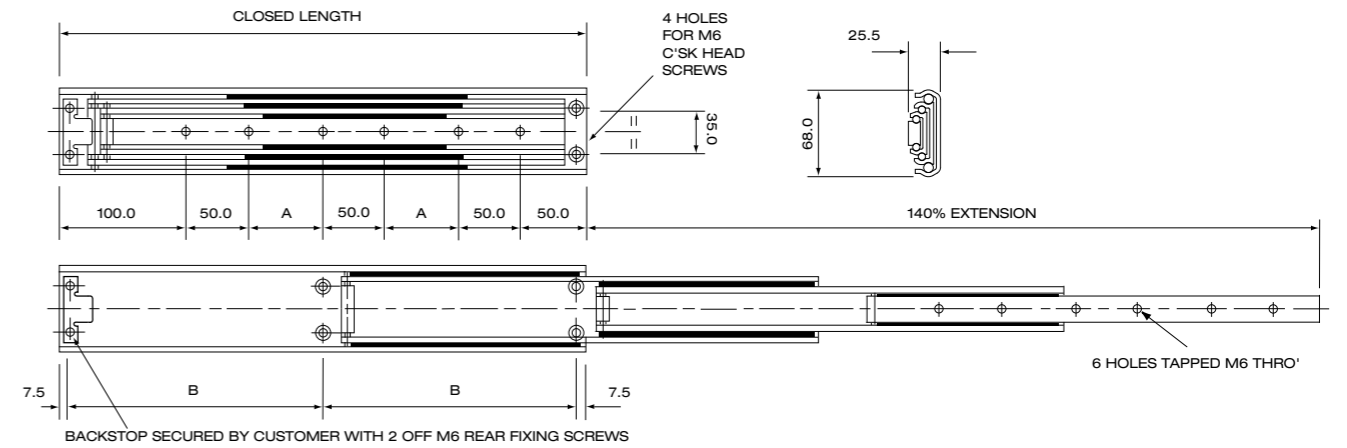
5040 - 100% Extension



All dimensions in mm

Article No.	Closed length	Extension length	A	B	No. of fixing holes	Load/pair (N)
5040-300	300	300	50	142.5	4	2600
5040-350	350	350	25	167.5	6	2570
5040-400	400	400	50	192.5	6	2450
5040-450	450	450	75	217.5	6	2380
5040-500	500	500	100	242.5	6	2300
5040-550	550	550	125	267.5	6	2200
5040-600	600	600	150	292.5	6	2100
5040-650	650	650	175	317.5	6	2000
5040-700	700	700	200	342.5	6	1950
5040-750	750	750	225	367.5	6	1820
5040-800	800	800	250	392.5	6	1780
5040-850	850	850	275	417.5	6	1680
5040-900	900	900	300	442.5	6	1600
5040-950	950	950	325	467.5	6	1500
5040-1000	1000	1000	350	492.5	6	1400

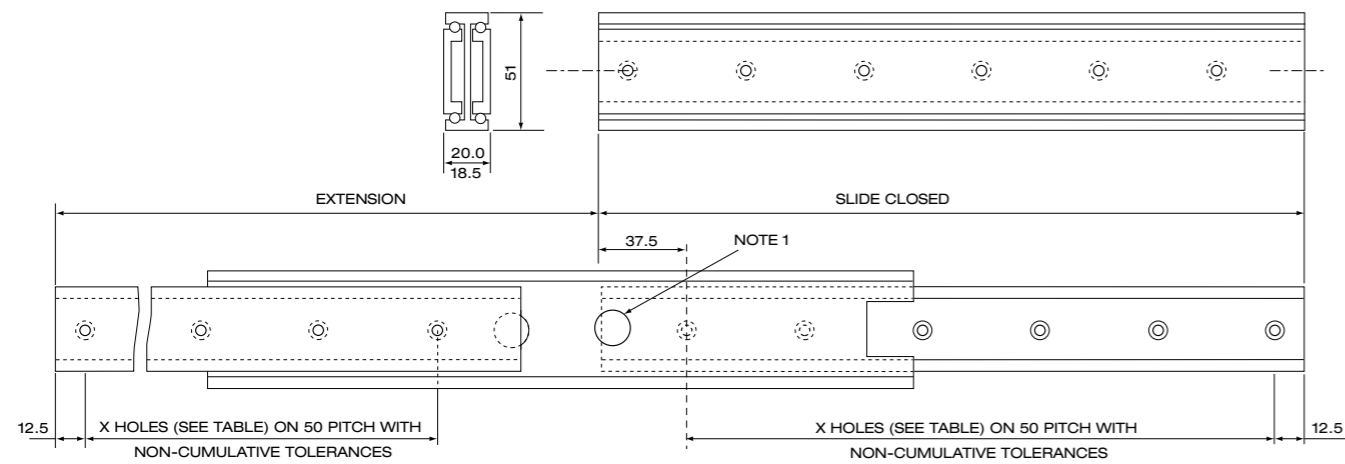
5040 - 140% Extension



All dimensions in mm

Article No.	Closed length	140% Extension length	A	B	No. of fixing holes	Load/pair (N)
5040-300	300	420	50	142.5	4	1700
5040-350	350	490	25	167.5	6	1700
5040-400	400	560	50	192.5	6	1680
5040-450	450	630	75	217.5	6	1630
5040-500	500	700	100	242.5	6	1600
5040-550	550	770	125	267.5	6	1580
5040-600	600	840	150	292.5	6	1560
5040-650	650	910	175	317.5	6	1400
5040-700	700	980	200	342.5	6	1300
5040-750	750	1050	225	367.5	6	1200
5040-800	800	1120	250	392.5	6	1180
5040-850	850	1190	275	417.5	6	1100
5040-900	900	1260	300	442.5	6	1000
5040-950	950	1330	325	467.5	6	900
5040-1000	1000	1400	350	492.5	6	800

210 Non Lock - 100% Extension



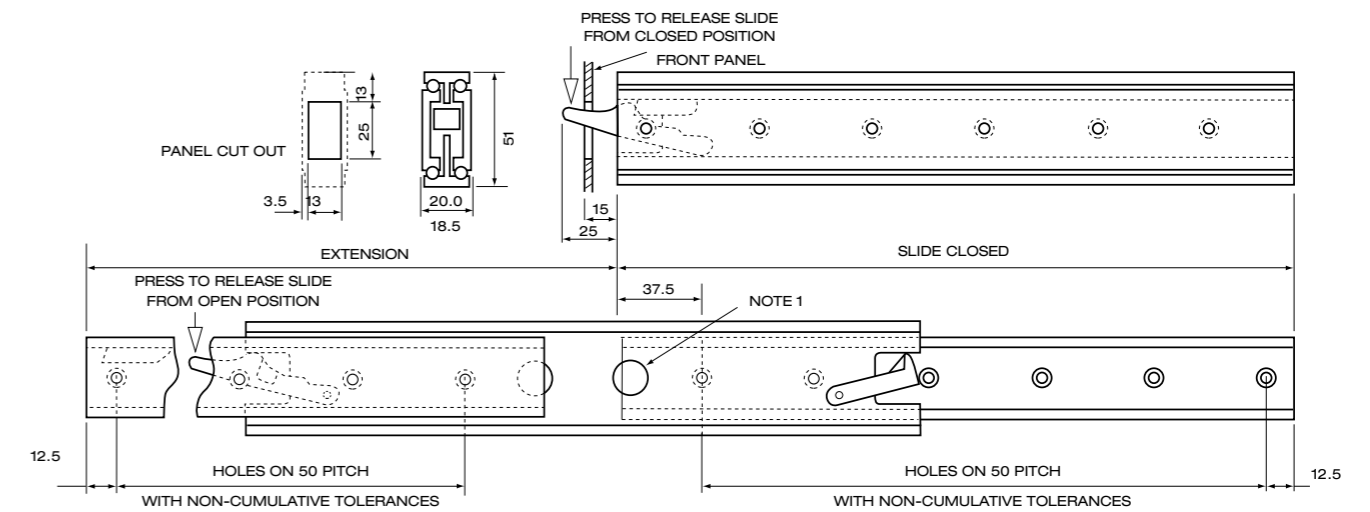
Note 1: 15 mm dia. holes in centre beam allow easy access to fixing holes. M5 countersunk head screws to BS4183 are recommended for fixing.

Note 2: Elongated holes should be provided in either the framework or chassis to give adjustment if it is necessary for the panel to fit tight against the framework.

All dimensions in mm

Article No.	Closed length	Extension length	No. of fixing x-holes	Load/pair (N)
210-300	300	330	6	550
210-350	350	380	7	620
210-400	400	430	8	710
210-450	450	480	9	780
210-500	500	530	10	840
210-550	550	580	11	880
210-600	600	630	12	900

220 (Right) & 230 (Left) Lock-in / Lock-out - 100% Extension



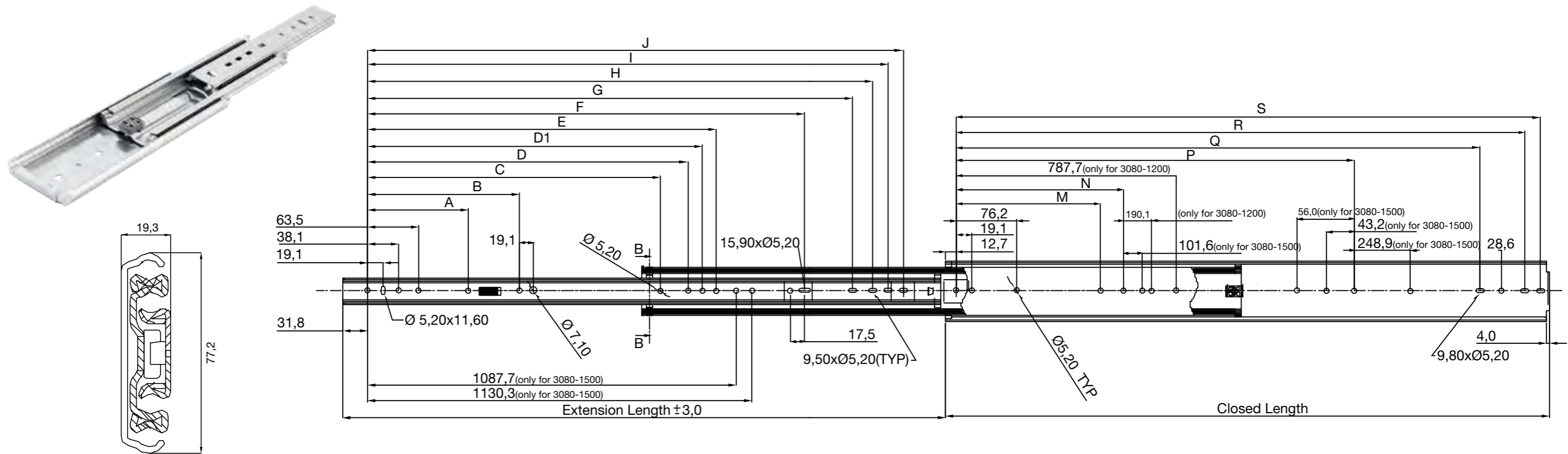
Note 1: 15 mm dia. holes in centre allow easy access to fixing holes. M5 countersunk head screws to BS4183 are recommended for fixing.

Note 2: Elongated holes should be provided in either the framework or chassis to give adjustment if it is necessary for the panel to fit tight against the framework.

All dimensions in mm

Article No. Right/Left	Closed length	Extension length	No. of fixing holes	Load/pair (N)
220/230-300	300	330	6	550
220/230-350	350	380	7	620
220/230-400	400	430	8	710
220/230-450	450	480	9	780
220/230-500	500	530	10	840
220/230-550	550	580	11	880
220/230-600	600	630	12	900

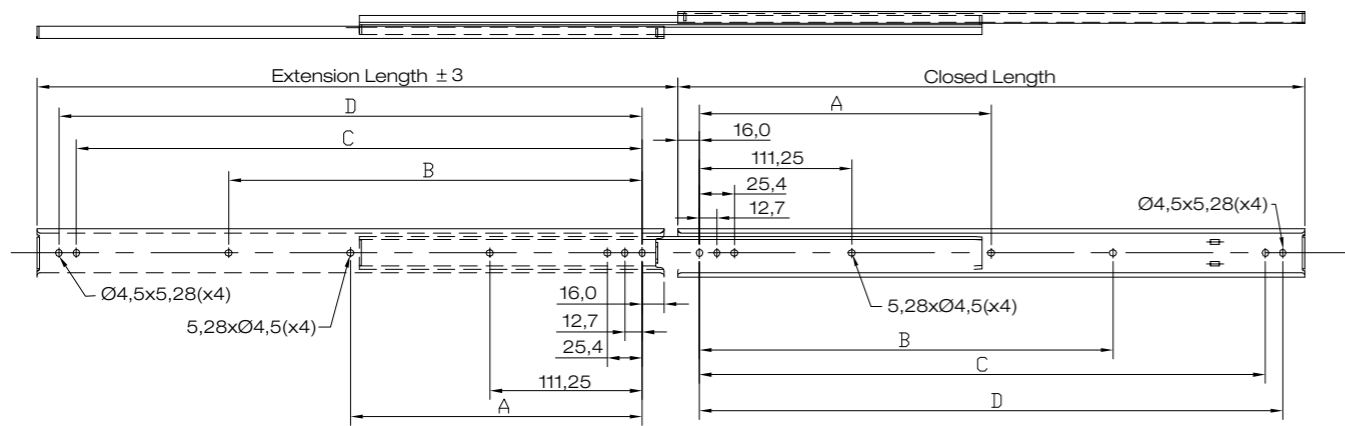
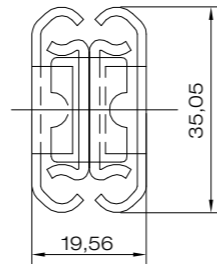
3080 - 100% Extension



All dimensions in mm

Article No.	Load/pair (N)	Closed Length	Extension Length	A	B	C	D	D ₁	E	F	G	H	I	J	M	N	P	Q	R	S	Article No.
3080-300	2000	304,8	304,8	-	-	-	-	-	-	-	154,0	179,4	198,4	217,4	-	-	-	203,2	260,4	279,4	3080-300
3080-400	2000	406,4	406,4	127,0	-	-	-	-	-	-	255,6	281,0	299,9	319,0	-	-	-	304,8	361,9	381,0	3080-400
3080-500	2000	508,0	508,0	127,0	190,5	-	-	-	-	296,9	357,2	382,6	401,6	420,6	-	-	-	406,4	463,6	482,6	3080-500
3080-600	1900	609,6	609,6	127,0	190,5	-	-	-	-	398,5	458,8	484,2	503,2	522,2	-	-	-	508,0	565,2	584,2	3080-600
3080-700	1800	711,2	711,2	127,0	190,5	-	-	-	-	500,1	560,4	585,8	604,8	623,8	-	-	-	609,6	666,8	685,8	3080-700
3080-800	1700	812,8	812,8	127,0	190,5	368,3	-	-	-	601,7	662,0	687,4	706,4	725,4	234,9	393,7	552,5	711,2	768,4	787,4	3080-800
3080-900	1600	914,4	914,4	127,0	190,5	368,3	520,7	-	-	703,3	763,6	789,0	807,9	827,0	234,9	444,5	654,1	812,8	870,0	889,0	3080-900
3080-1000	1500	1016,0	1016,0	127,0	190,5	368,3	622,3	-	-	804,9	865,2	890,6	909,6	928,6	234,9	495,3	755,7	914,4	971,6	990,8	3080-1000
3080-1100	1400	1117,6	1117,6	127,0	190,5	368,3	723,9	-	825,5	906,5	966,8	992,2	1011,2	1030,2	234,9	546,1	857,3	1016,0	1073,2	1092,2	3080-1100
3080-1200	1300	1219,2	1219,2	127,0	190,5	368,3	723,9	763,7	825,5	1004,7	1068,4	1093,8	1112,8	1131,8	234,9	406,8	958,8	1117,6	1174,8	1193,8	3080-1200
3080-1300	1200	1320,8	1320,8	127,0	190,5	368,3	774,7	-	825,5	1109,7	1170,0	1195,4	1214,4	1233,4	234,9	596,9	958,8	1219,2	1276,4	1295,4	3080-1300
3080-1400	1100	1422,4	1422,4	127,0	190,5	368,3	774,7	-	825,5	1211,3	1271,6	1297,0	1316,0	1335,0	234,9	596,9	958,8	1320,8	1378,0	1397,0	3080-1400
3080-1500	1000	1524,0	1524,0	127,0	190,5	368,3	622,3	774,7	825,5	1309,5	1373,2	1398,6	1417,6	1436,6	234,9	495,3	1014,8	1422,4	1479,6	1498,6	3080-1500

3560 - 100% Extension



All dimensions in mm

Article No.	Load/pair (N)	Closed Length	Extension Length	A	B	C	D
3560-250	600	254,0	264	-	-	209,6	222,3
3560-300	600	304,8	315	-	149,1	260,4	273,1
3560-350	600	355,6	366	-	199,9	311,2	323,9
3560-400	600	406,4	416	-	250,7	362,0	374,7
3560-450	600	457,2	467	212,6	301,5	412,8	425,5
3560-500	600	508,0	518	238,0	352,3	463,6	476,3
3560-550	500	558,8	569	263,4	403,1	514,4	527,1
3560-600	450	609,6	620	288,8	453,9	565,2	577,9
3560-650	400	660,4	670	314,2	504,7	616,0	628,7
3560-700	320	711,2	721	339,6	555,5	666,8	679,5

Material:
Slide members and component parts - stainless AISI 304.
Balls - AISI 420.

Product Overview



BALL SCREWS
High efficiency ball screws and nuts.



LINEAR UNIT QME
Complete linear drive unit with ball bushings and ball screws.



LINEAR UNIT RHL
Complete unit with tooth belt.



LINEAR UNITS
Complete unit with ball screw or tooth belt.



ALUMINIUM PROFILES
A full program of aluminium profiles and accessories.



BELT CONVEYOR
Transportation system with different drive options



U-RAIL
Rollers in steel or polyamide. For light, standard or heavy load. Mounted in U-rails.



COMPACT RAIL
No more problems with parallelism. Low noise. Lifetime lubricated bearings.



C-RAIL
A simple and cost effective linear bearing system



LINEAR RAIL SYSTEM
The most standardized linear rail system.



MINIATURE
Range from 3 mm up to 15 mm.



EASYSLIDE
A strong solution for short strokes.



ROLLER GUIDES
Four raceways with rollers. High load capacity.



HEAVY TELESCOPIC
The strongest solution for extraction.



LIGHT TELESCOPIC
Telescopic systems for smooth movement. Steel and aluminium.



BALL BEARINGS
Linear ball bearings and hardened steel shafts.

Every care has been taken to ensure the accuracy of the information contained in this catalogue but no liability can be accepted for any errors or omissions. Even partial reproduction is allowed only by written permission by Rolco.

Rollco AB
Box 22234
Ekvändan 3
250 24 Helsingborg
Sweden
Tel. +46 42 150040
Fax +46 42 150045
www.rollco.se

Rollco A/S
Ladegårdsvej 2
7100 Vejle
Denmark
Tel. +45 7552 2666
Fax +45 7552 0708
www.rollco.dk

Rollco Oy
Sarankulmankatu 12
33900 Tampere
Finland
Tel. +358 207 57 97 90
Fax +358 207 57 97 99
www.rollco.fi

Rollco Norge AS
Bergliveien 2
3427 Gullaug
Norway
Tel. +47 32 84 00 34
Fax +47 32 84 00 91
www.rollco.no

Rollco Taiwan
No. 28, Lane 125, Da-an Road
Shulin District 238
New Taipei City, Taiwan
Tel. +886-2-8687-2726
Fax +886-2-8687-2720
www.rollco-tw.com



ROLLCO
SPECIALIZED
ON LINEAR MOTION