

# HOSPITAL TROLLEY

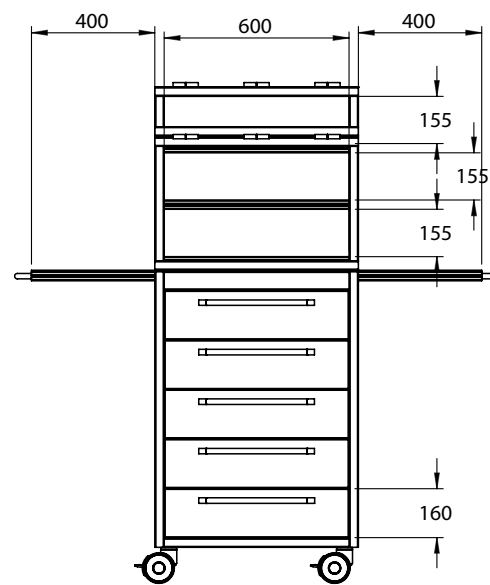
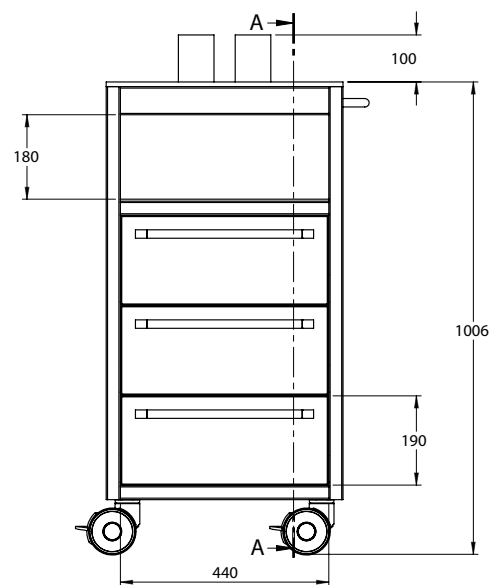


**ROLLCO**

SPECIALIZED  
ON LINEAR MOTION

# Hospital Trolleys

- Versatile storage options and variable number of drawers and doors - optional lockable
- All sides can be mounted with hooks and brackets for different accessories
- Wheels are smooth-running and lockable
- Made from anodized aluminum and antistatic laminate
- Available in various colors
- All surfaces are resistant to cleaning with disinfectants
- Fully extendable with self-closing and soft closing drawers and doors
- Sturdy handles that also can be reached from the trolleys short sides
- Optional is a pull-out writing board and a trim around the top - and many other accessories
- Designed in co-oration with users in health care





## Accessories



Manual lock with individual key number (ASSA)



Manual lock - locking all drawers at the same time



Electronical lock system with card



Special accessory for long instrument



Holder for soap and alcoholic gel (soap/gel not included)



Waste disposable holder (box not included)



Flexible drawer inserts (in aluminium or stainless steel)



Lid for inserts



Cardiac massage board holder (board not included)



Waste basket in plastic with lock



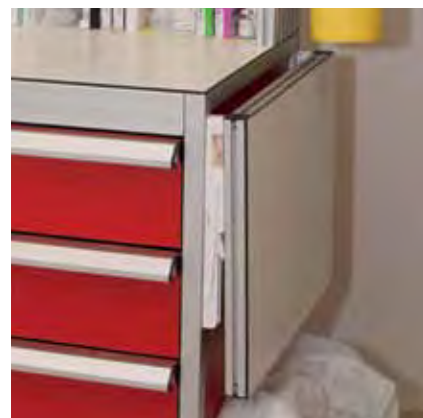
Waste basket in white painted steel



Drop holder



Pull out tray



Fold down tray



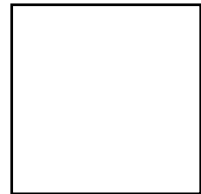
Tilting bins



Glover box holder

## Colours

We offer 7 different standard colours as well as a version designed for pediatric wards. If you have special requests, please contact us.



White / 0085



Sun Yellow / 0212



Pastel Grey / 0074



Red / 0067



Dark Green / 0059



Gentian Blue / 0237



Black / 0080



Every care has been taken to ensure the accuracy of the information contained in this catalogue but no liability can be accepted for any errors or omissions. Even partial reproduction is allowed only by written permission by Rolco.

**Rollco AB**  
Box 22234  
Ekvändan 3  
250 24 Helsingborg  
Sweden  
Tel. +46 42 150040  
Fax +46 42 150045  
[www.rollco.se](http://www.rollco.se)

**Rollco A/S**  
Bramdrupskovvej 15  
6000 Kolding  
Denmark  
Tel. +45 7552 2666  
Fax +45 7552 0708  
[www.rollco.dk](http://www.rollco.dk)

**Rollco OY**  
Kuuhuntie 2  
36200 Kangasala  
Finland  
Tel. +358 207 57 97 90  
Fax +358 207 57 97 99  
[www.rollco.fi](http://www.rollco.fi)

**Rollco Norge AS**  
Bergliveien 2  
3427 Gullaug  
Norway  
Tel. +47 32 84 00 34  
Fax +47 32 84 00 91  
[www.rollco.no](http://www.rollco.no)

**Rollco Taiwan**  
No. 28, Lane 125, Da-an Road  
Shulin District 238  
New Taipei City, Taiwan  
Tel. +886-2-8687-2726  
Fax +886-2-8687-2720  
[www.rollco-tw.com](http://www.rollco-tw.com)



**ROLLCO**  
SPECIALIZED  
ON LINEAR MOTION