

BELT CONVEYOR



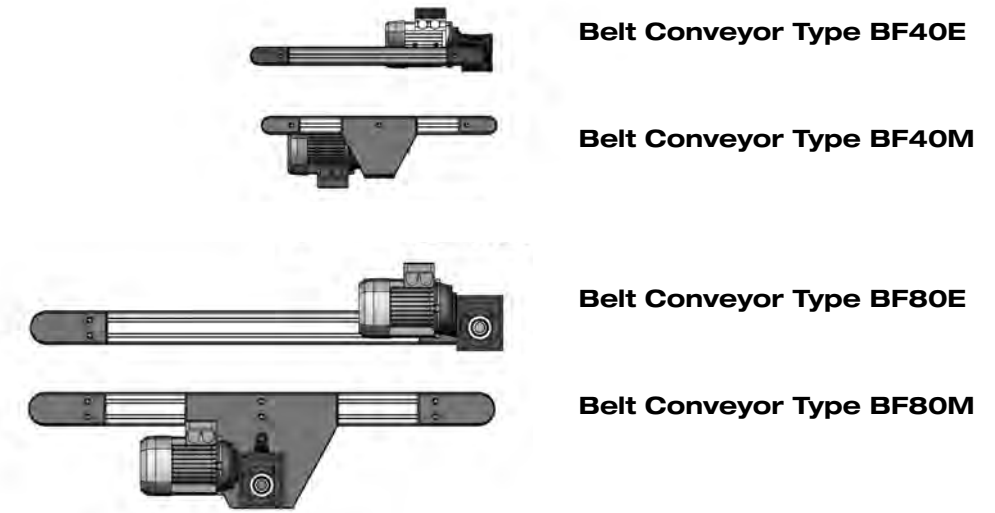
ROLLCO

SPECIALIZED
ON LINEAR MOTION

Index

Different versions of BF40 & BF80	3
Order code	3
BF40	4
BF80	5
Gear types & motor types	6
Position of motor	7
Conveyor belts	8
Guide rail & stand	9
Inquiry form	10
Product overview	11

Different Versions of BF40 & BF80



Order Code

BF40 E - 120 - 1000 - 38,7 - RH1

Size

BF40
BF80

Type

E = end
M = middle

Width

Length

c/c roller

Speed

Position

Note:

Rollco's final inspection ensures that the conveyor belt runs smoothly and is aligned.

Motors are not individually tested.

Motors are not assembled to the unit during transport.

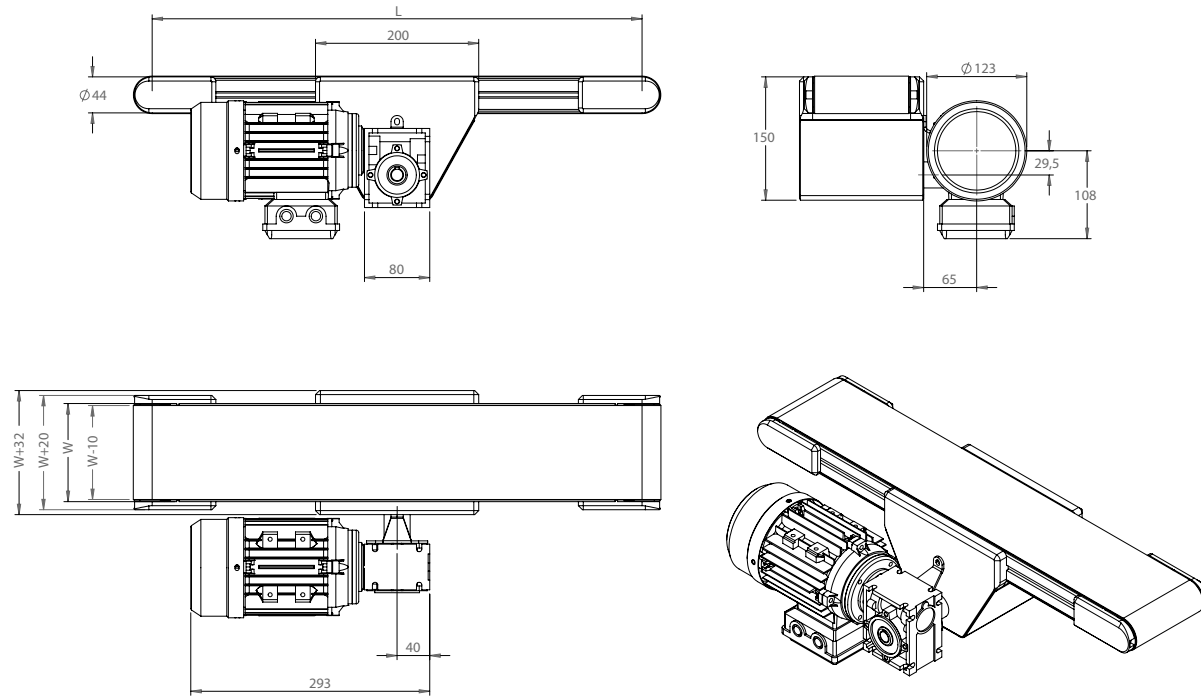


Belt Conveyor BF40

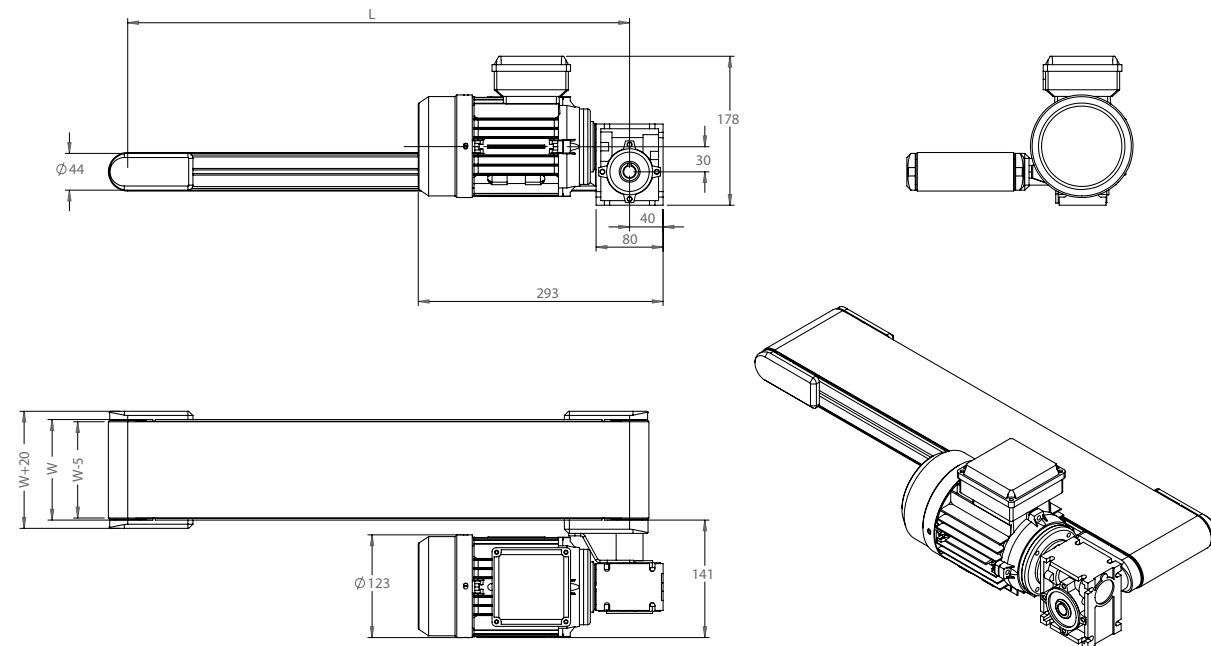
BF40 is a transportation system designed for smaller and light objects. The transportation system is available with 2 different drive options: End drive with motor/gear and middle drive with motor/gear. BF40 is built on a frame of aluminium profiles which makes mounting simple and easy.

Available in sizes (width in mm): 40, 80, 120, 160, 200, 250, 300, 350 & 400

BF40M (middle drive)



BF40E (end drive)

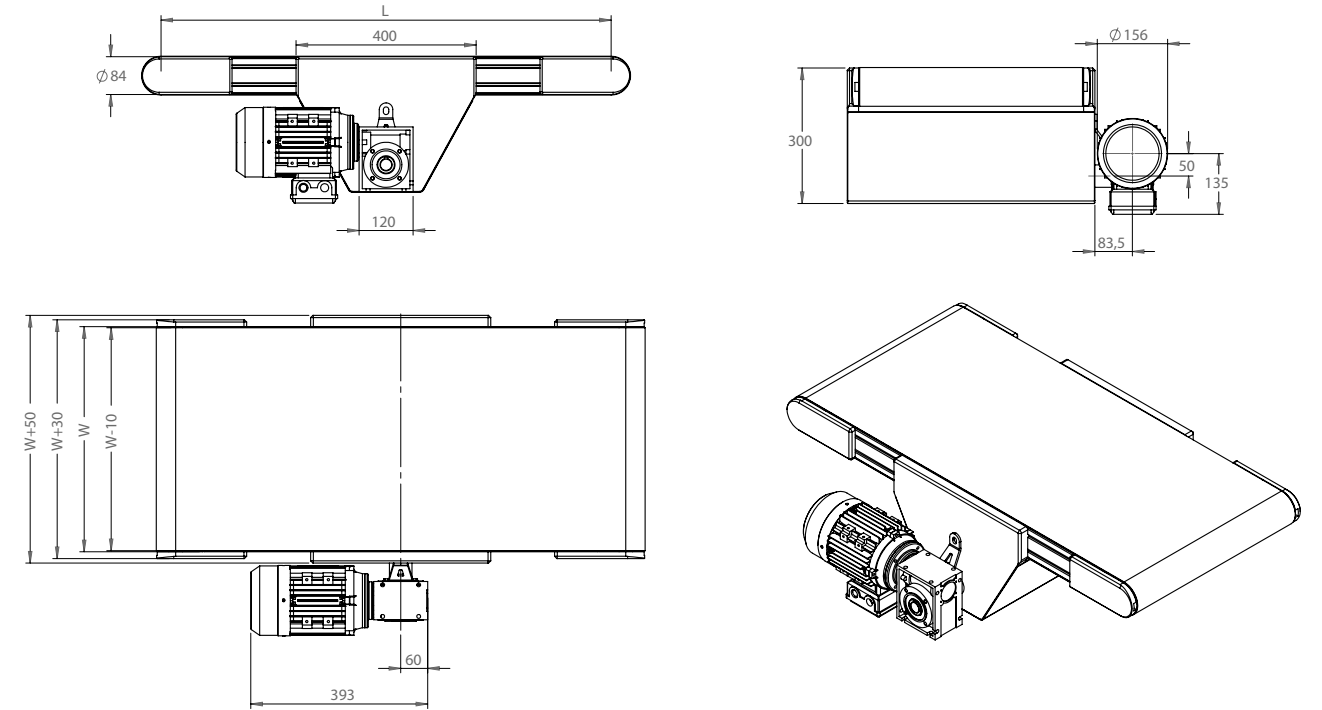


Belt Conveyor BF80

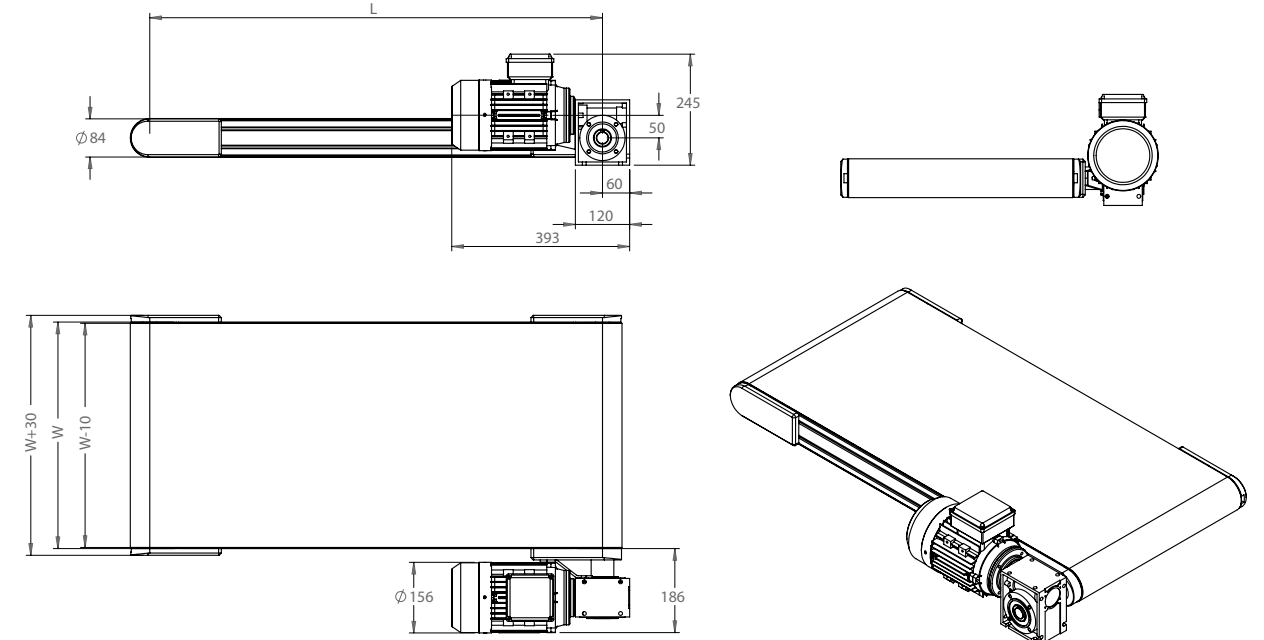
BF80 is a transportation system designed for middle size objects. The transportation system is available with 2 different drive options: End drive with motor/gear & middle drive with motor/gear. BF80 is built on a frame of aluminium profiles which makes mounting simple and easy.

Available in sizes (width in mm): 500, 600, 700, 800, 900 & 1000

BF80M (middle drive)



BF80E (end drive)



Gear Types

Standard speeds BF40 - SB030-B14-H14

Motor speed (rpm)	1350									
Gear ratio (I)	5	7,5	10	15	20	25	30	40	50	
Speed (m/min)	37,3	24,9	18,7	12,4	9,4	7,5	6,2	4,7	3,7	

Standard speeds BF80 - SB050-B14-H25

Motor speed (rpm)	1350/1370										
Gear ratio (I)	10	15	20	25	30	40	50	60	80	100	
Speed (m/min)	36,2	24,3	18,2	14,5	12,2	9,3	7,4	6,1	4,5	3,7	

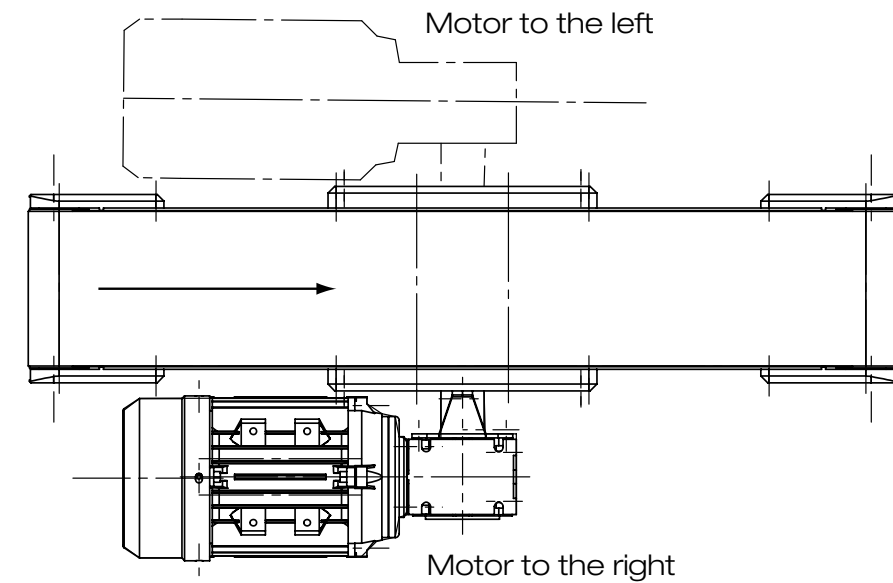
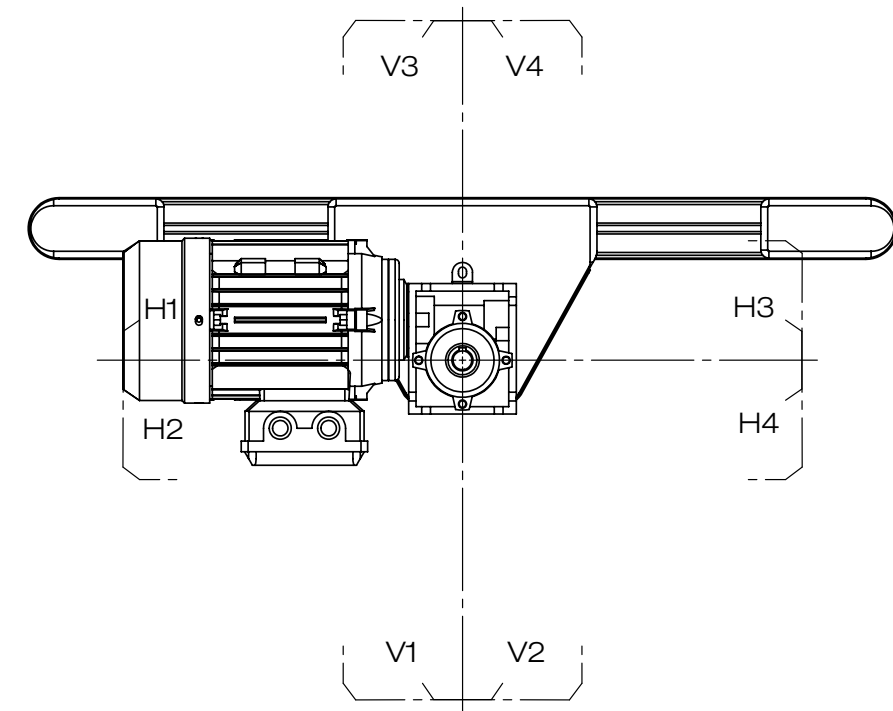
Other speeds on request

Motor Types

	Belt conveyor 40		Belt conveyor 80		
Motor type	MS63A-4	MS63B-4	MS71A-4	MS71B-4	MS80A-4
Voltage	230/400	230/400	230/400	230/400	230/400
Power (kW)	0,12	0,18	0,25	0,37	0,55
Frequency (Hz)	50	50	50	50	50
Current A	0,82/0,47	1,18/0,68	1,46/0,84	1,93/1,11	2,75/1,58
Speed (rpm)	1350	1350	1350	1370	1370
Enclosure	IP55	IP55	IP55	IP55	IP55

Other motors on request
Frequency converter on request

Position of Motor



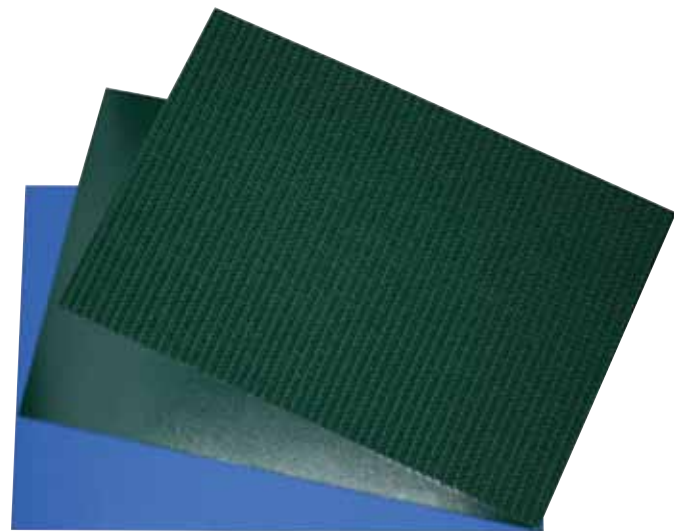
L: Motor to the left
R: Motor to the right

Example RH1: Right side, position H1

Conveyor Belts

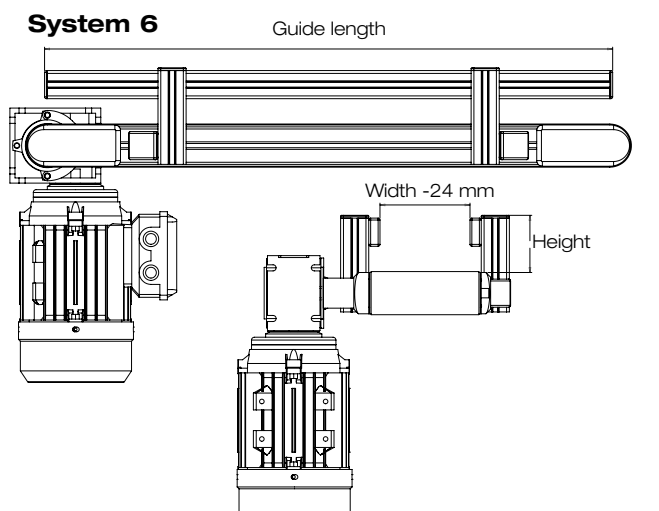
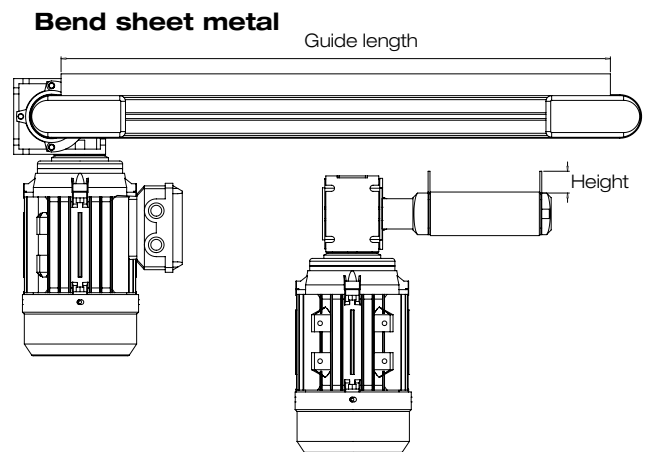
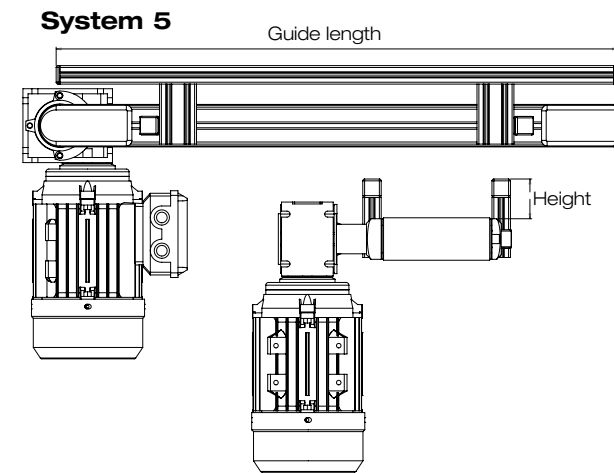
Kind of belt	Application	Special technical data/use	Colour
PVC	Standard belt. Suitable for all sorts of material handling, packaging and confectionary. From light to heavy applications	Antistatic. Food quality. Many different surface patterns. FR - flame retardent. Temperature range of -10 to + 60° C	Green
PU/Polyurethane	Suitable for accumulation, packaging, sharp edged products and magnetic conveying. Widely used within food applications and bakeries. Very good to use for applications with small pulleys. Minimum pulley diameter is knife-edge (8 mm)	Food quality. HC-high conductivity. Antistatic. High mechanical and abrasion resistance. Highly resistant to oil and grease and chemical agents. Temperature range -30 to +110 ° C	Blue
Rubber/Elastomer	Suitable for paper and wood packaging industry. High resistance to abrasion, inks, oils and chemical agents. High resistance to penetration by cutting blades and stamping heads	High grip surface patterns. temperature range -40 to +100° C	Green

Other types on request



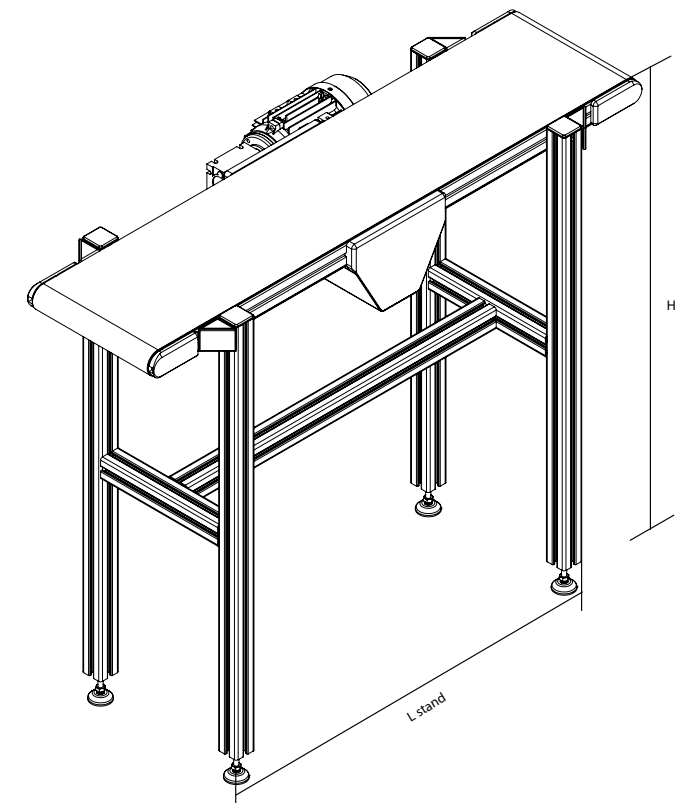
Guide Rail

Guide rail on request



Stand

Stand according to your specifications



Inquiry Form

The following questions should be considered when planning and designing a belt conveyor:

Model BF40E, BF40M, BF80E or BF80M? _____

Right or left placement of motor? _____

Belt material: PVC, PU or for food industry? _____

Length of belt? (mm) _____

Width of belt? (mm) _____

Speed? (m/min) _____

Stand? Transportation height? (mm) _____

Stand with wheels? _____

Side rails? Height? (mm) _____

What type of items will be transported on the conveyor? _____

Are the items dry, oily, hot, soft, sharp...? _____

Size and weight of the items? _____

In which type of environment will the belt conveyor be placed? _____

Other information? _____

Product Overview



BALL SCREWS
High efficiency ball screws and nuts.



QUADRO TABLE
Complete linear drive unit with ball bushings and ball-screws.



LINEAR UNIT RHL
Complete unit with tooth belt.



LINEAR UNIT
Complete unit with ball screw or tooth belt.



ALUMINIUM PROFILES
A full program of aluminium profiles and accessories.



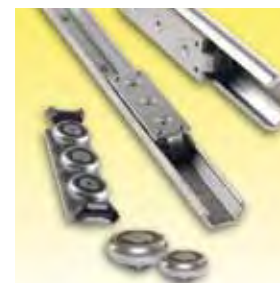
BELT CONVEYOR
Transportation system with different drive options



U-RAIL
Rollers in steel or polyamide. For light, standard or heavy load. Mounted in U-rails.



COMPACT RAIL
No more problems with parallelism. Low noise. Lifetime lubricated bearings.



C-RAIL
A simple and cost effective linear bearing system



LINEAR RAIL SYSTEM
The most standardized linear rail system.



MINIATURE
Range from 3 mm up to 15 mm.



EASY RAIL
A strong solution for short strokes.



ROLLERGUIDES
Four raceways with rollers. High load capacity.



HEAVY TELESCOPIC
The strongest solution for extraction.



LIGHT TELESCOPIC
Telescopic systems for smooth movement. Steel and aluminium.



BALL BEARINGS
Linear ball bearings and hardened steel shafts.

Every care has been taken to ensure the accuracy of the information contained in this catalogue but no liability can be accepted for any errors or omissions. Even partial reproduction is allowed only by written permission by Rolco.

Rollco AB
Box 22234
Ekvändan 3
250 24 Helsingborg
Sweden
Tel. +46 42 150040
Fax +46 42 150045
www.rollco.se

Rollco A/S
Bramdrupskovvej 15
6000 Kolding
Denmark
Tel. +45 7552 2666
Fax +45 7552 0708
www.rollco.dk

Rollco OY
Kuuhuntie 2
36200 Kangasala
Finland
Tel. +358 207 57 97 90
Fax +358 207 57 97 99
www.rollco.fi

Rollco Norge AS
Bergliveien 2
3427 Gullaug
Norway
Tel. +47 32 84 00 34
Fax +47 32 84 00 91
www.rollco.no

Rollco Taiwan
No. 28, Lane 125, Da-an Road
Shulin District 238
New Taipei City, Taiwan
Tel. +886-2-8687-2726
Fax +886-2-8687-2720
www.rollco-tw.com



ROLLCO
SPECIALIZED
ON LINEAR MOTION